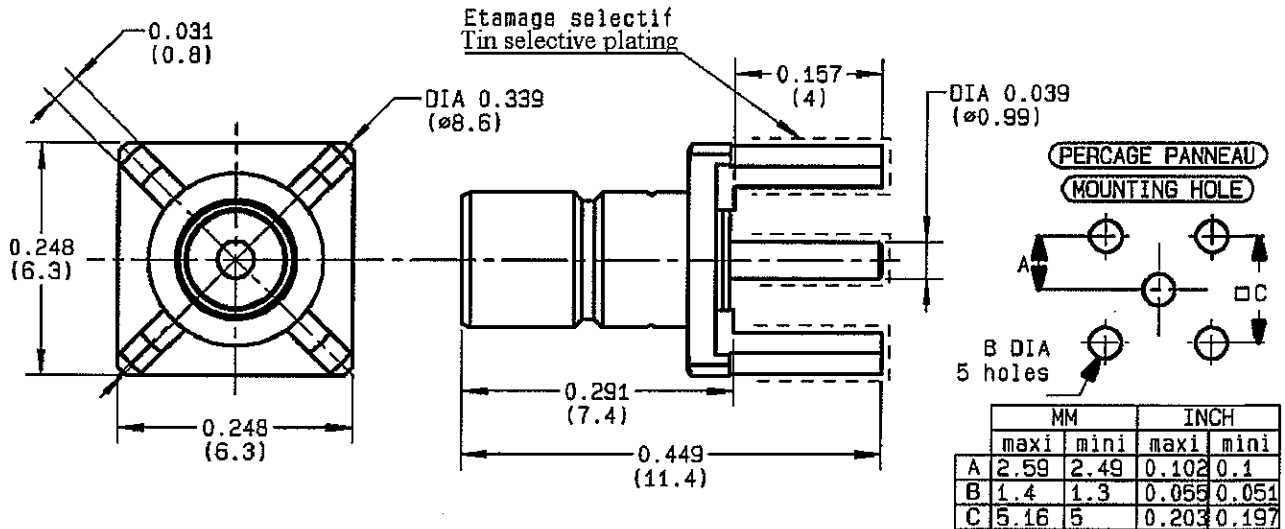


**MALE RECEPTACLE FOR P.C.B. SOLDER TYPE  
IN STICK PACKAGING 75**

**R114.426.860**

**SERIES**

**SMB**



NOMINAL IMPEDANCE	<b>50</b> Ω
FREQUENCY RANGE	<b>0-4</b> GHz
TEMPERATURE RATING	<b>-65 / +165</b> °C
V.S.W.R	<b>1.05*</b> + <b>.008</b> x F(GHz)Max1
RF INSERTION LOSS	<b>0.03*</b> √F(GHz) dB Max1
VOLTAGE RATING	<b>500</b> Veff Max1
DIELECTRIC WITHSTANDING VOLTAGE	<b>1000</b> Veff Mini
INSULATION RESISTANCE	<b>1000</b> MΩMini
HERMETIC SEAL	<b>NA</b> Atm.cm <sup>3</sup> /s
LEAKAGE (pressurized only)	<b>NA</b>
MECHANICAL DURABILITY	<b>500</b> Cycles
WEIGHT	gF
SPECIFICATION	

CABLES :

OTHERS CHARACTERISTICS

**\* COAXIAL TRANSMISSION LINE ONLY**

CABLE RETENTION	<b>NA</b>	N Mini
CENTER CONTACT RETENTION		
Axial force - mating end	<b>10</b>	N Mini
Axial force - opposite end	<b>10</b>	N Mini
Torque	<b>NA</b>	cm.N Mini
RECOMMENDED TORQUES		
Mating	<b>NA</b>	cm.N
Panel nut	<b>NA</b>	cm.N
Clamp nut	<b>NA</b>	cm.N

CONNECTOR PARTS:	MATERIALS	FINISH	(all values are given in micrometers)
BODY	BRASS	GOLD 0.2 OVER NICKEL 2	
OUTER CONTACT			
CENTER CONTACT	BRASS	GOLD 1.3 OVER NICKEL 2	
INSULATOR	PTFE	-	
GASKET		-	
OTHERS PIECES			

ISSUE  
0512 C

CREATION DATE  
24/12/1996

FILE PART-NUMBER  
96-0130-524



**RADIALL®**

FANJAT

The information given here is subject to change without notice.  
Design changes may be in order to improve the product.

*Connect to the future*

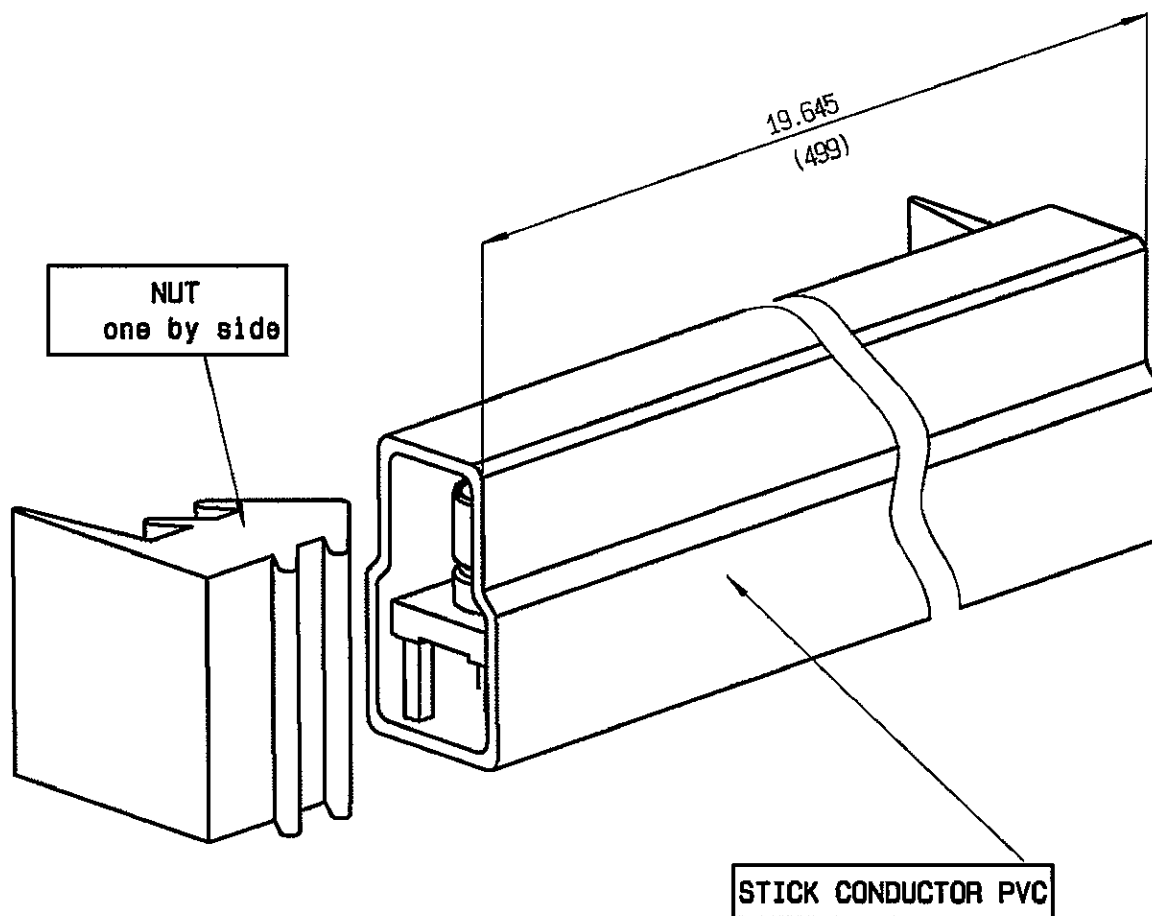
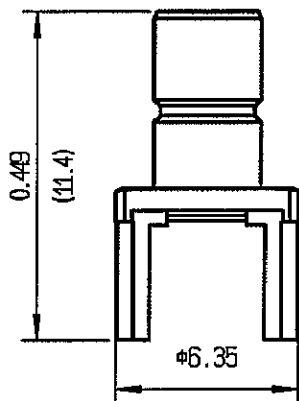


**R114.426.860**

ISSUE 0512 C

SERIES

SMB



FANJAT